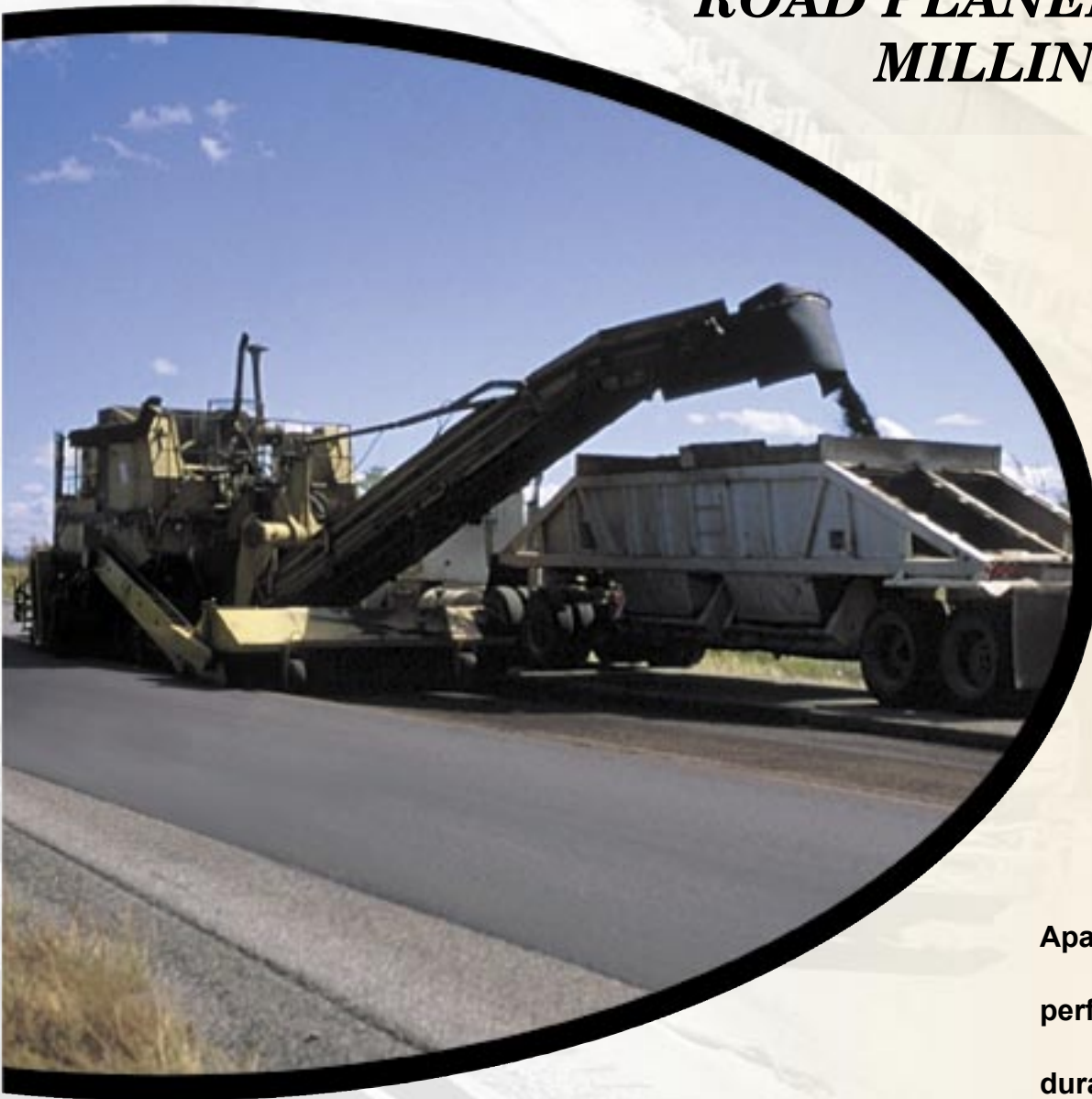


“ROAD - AWAY”

***ROAD PLANER-
MILLING BELT***



Apache's high
performance,
durable,
single piece,
cleated,
conveyor belt.

APACHE
HOSE & BELTING CO., IN

ROAD PLANER/MILLING BELT

APACHE HOSE AND BELTING



“ROAD-AWAY” ROAD PLANER / MILLING BELT is manufactured in 24”, 30”, 36”, 42” and 48” widths. Other custom fabricated widths and profiles are available using hot vulcanized cleats.

Belt Width	Ply	Working Tension PIW	Covers	Overall Gauge	Weight / Foot	Recommended Splice
24”	3	225	3/16” x 1/16”	15/32”	6.25#	Vulcanized Endless
30”	3	225	3/16” x 1/16”	15/32”	7.75#	
36”	3	225	3/16” x 1/16”	15/32”	9.30#	
42”	3	225	3/16” x 1/16”	15/32”	10.85#	
48”	3	225	3/16” x 1/16”	15/32”	12.40#	

METRIC WIDTHS AVAILABLE

Features		Benefits
3 plies of 75 pound synthetic fabric; 225 pounds per-inch-of-width working tension	➔	Increased resistance to loading, impact, tears and punctures
3/16” x 1/16” HARC Belt Covers	➔	Superior resistance to abrasion and weathering for longer life
1” High HARC Cleat Profile	➔	Cleating takes the toughest beatings; adds longer service life
High Strength and Excellent Flexibility	➔	Overcomes limitations of 3 ply 330 lb. belts
Integrally Manufactured Single Unit Construction	➔	Cleats can not peel off since cleats and belt are cured at the same time, making one integral unit
Endless Manufactured Splices	➔	No vulcanized strips or cover-fills to delaminate
550 Megalloy Fastener with Bare SS pin	➔	Best fastener choice for resistance to wear from small pulleys, granular abrasive fines, and sift through of materials

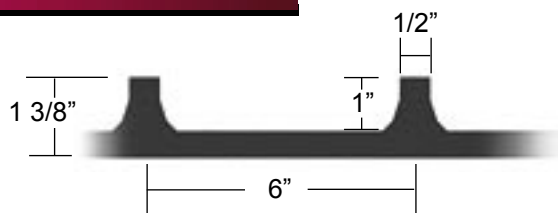
APACHE HOSE AND BELTING

“ROAD-AWAY” ROAD PLANER / MILLING BELT by Apache Hose & Belting, Inc. is designed specifically as the ideal belt for a wide variety of machines manufactured to profile highway, street and road beds prior to resurfacing. Our construction is made from 3 plies of 75 pound synthetic fabric which resists puncture, tearing and impact; a common problem with many original equipment belts and other replacement belt specifications.

“ROAD-AWAY” ROAD PLANER / MILLING BELT’s vulcanized splice is ultra strong and flexible to ensure long life and resist the rigors of belts operating at high speeds on small pulleys.

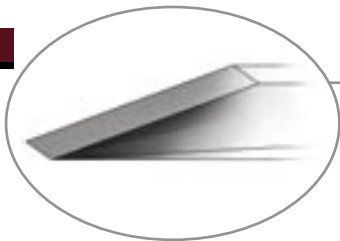
“ROAD-AWAY” ROAD PLANER / MILLING BELT has HARC quality rubber cover compounding, and HARC rubber cleat compounding. This feature alone means “ROAD-AWAY” will take the constant abuse and beating from the surface spoil rendered by the cutting wheel. HARC resists the abrasive effects of natural terrain found along road shoulders, as well as both concrete and asphalt pavement. “ROAD-AWAY” cleating takes the beating like no other belt Apache has ever produced. Furthermore, HARC resists sunlight, UV rays, ozone and other damage caused by weathering. It will remain flexible after long periods of non use during off seasons.

Cleat Pattern Cross section



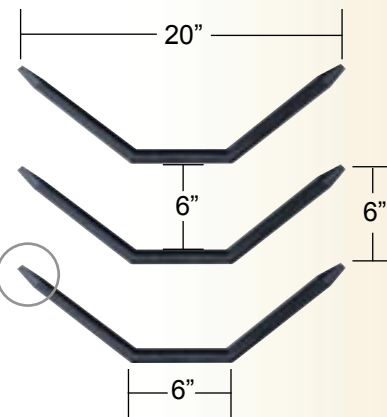
Tapered Cleat End

Tapered leading edge is designed to reduce the stress of belts operating on small pulleys.



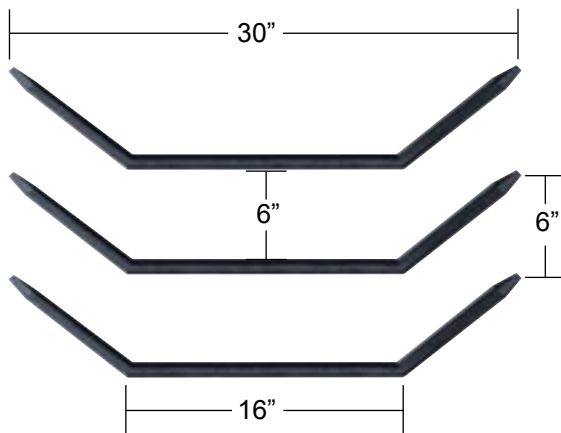
20" Road-Away Cleat Pattern

For 24" belt widths and above.



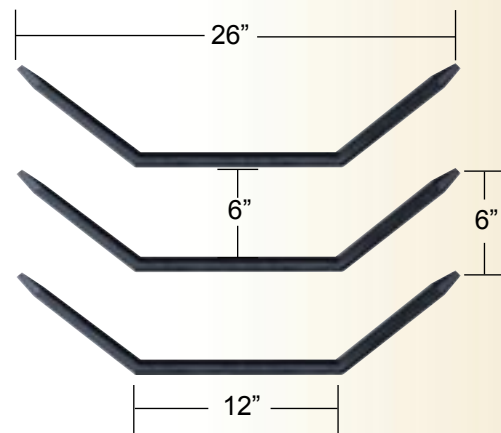
30" Road-Away Cleat Pattern

For 42" belt widths and above.



26" Road-Away Cleat Pattern

For 36" belt widths and above.



APACHE HOSE AND BELTING

CORPORATE HEADQUARTERS

CEDAR RAPIDS, IA
Office Phone: 319-365-0471
WATS: 866-757-7816
Fax: 319-365-2522
Website: www.apachehb.com

NATIONAL SALES GROUP
Office Phone: 319-365-0471
WATS: 800-553-5455
Fax: 319-365-2522

REGIONAL SALES AND DISTRIBUTION CENTERS

CEDAR RAPIDS, IA
Office Phone: 319-365-2532
WATS: 800-332-3243
Fax: 866-537-5494

MINNEAPOLIS, MN
(Eagan, MN)
Office Phone: 651-454-5744
WATS: 800-328-4149
Fax: 651-454-7844

N. KANSAS CITY, MO
Office Phone: 816-474-5900
WATS: 800-821-5160
Fax: 816-474-0143

ST. LOUIS, MO
Office Phone: 314-567-6705
WATS: 800-325-1531
Fax: 314-567-4312

CHICAGO, IL
(Bensonville, IL) ?
Office Phone: 630-834-2950
WATS: 800-635-4712
Fax: 630-834-6871

FOR MORE INFORMATION ON THESE AND OTHER PRODUCTS CALL TOLL FREE:

1-800-553-5455

WARRANTY

All merchandise designed, manufactured or assembled by Apache is warranted at the time of shipment to be free from defects in the original design, material and manufacture, provided such merchandise is properly installed and used only for the intended purpose and under normal service conditions. Liability with respect to any such merchandise proved defective is limited to buyer's net purchase price or, at Apache's option, the repair or replacement thereof upon its return to Apache freight prepaid. In no event shall Apache be liable to supply or pay for labor, downtime, or any loss or damage, either direct, incidental or consequential. All merchandise supplied by Apache but designed, manufactured and assembled by others shall be accepted by Buyer with only those warranties made by such vendors or manufacturers and in lieu of any additional warranties on the part of Apache.

THIS WARRANTY IS EXPRESSLY MADE IN LIEU OF ANY AND ALL OTHER WARRANTIES, INCLUDING THE WARRANTY OF MERCHANTABILITY AND FITNESS FOR A PARTICULAR PURPOSE.



• REGIONAL SALES AND DISTRIBUTION CENTERS SERVING NORTH AMERICA

DISTRIBUTED BY:

www.apachehb.com